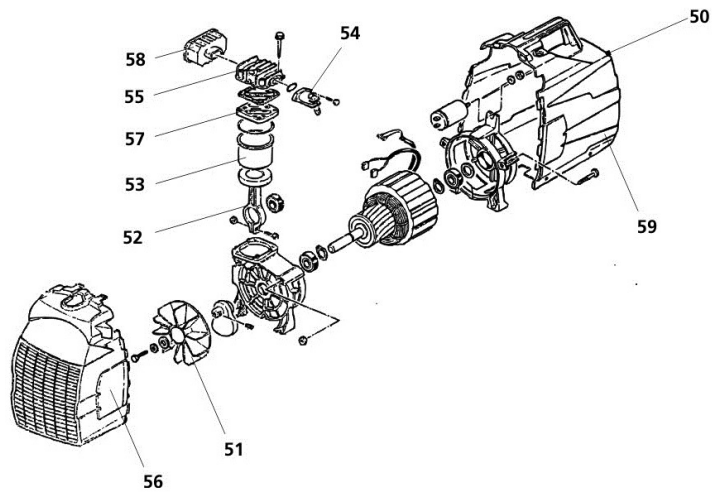
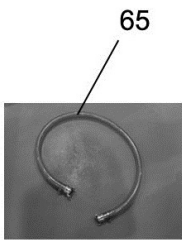
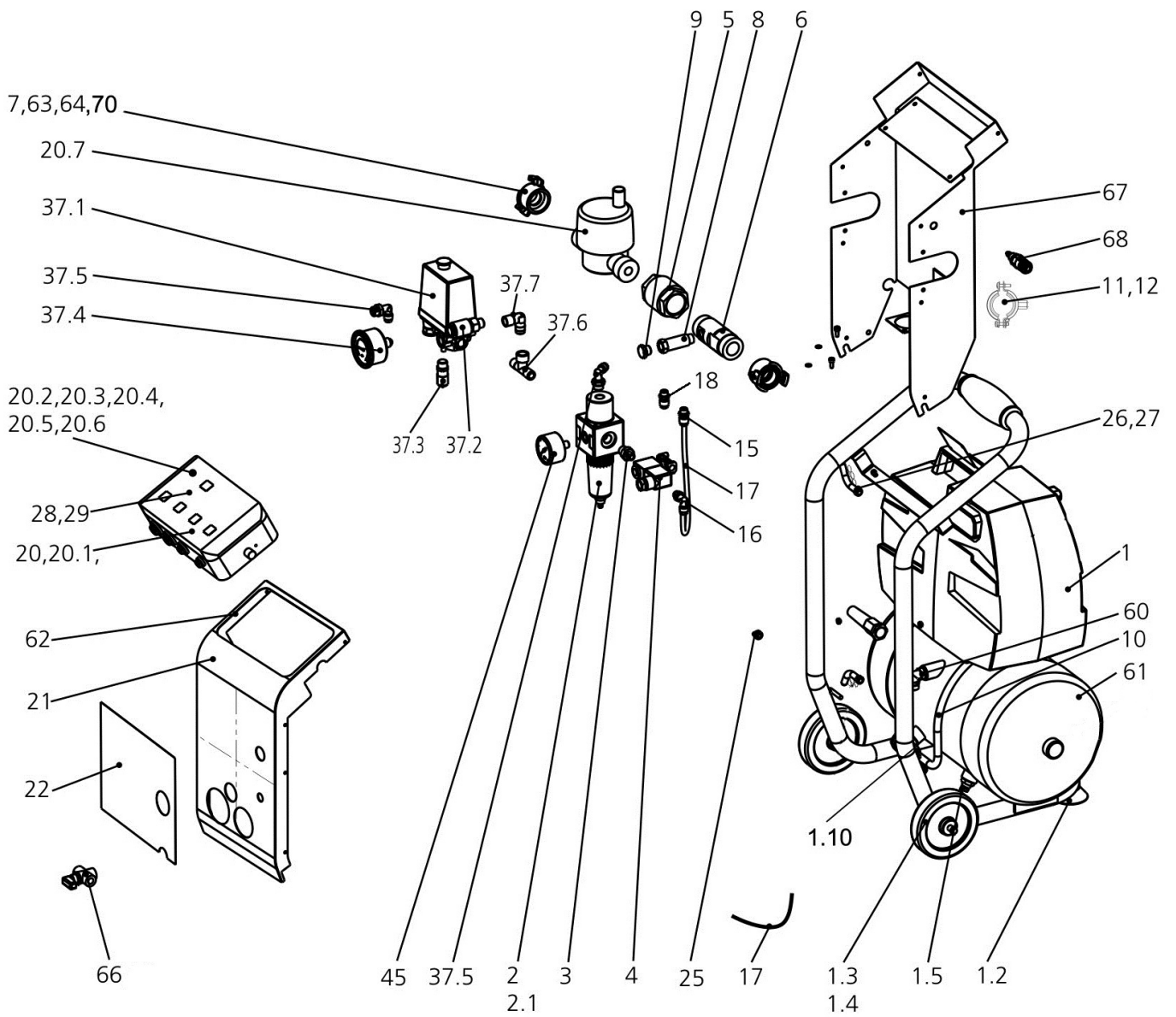


ROPULS Flushing Compressor
No. 1000000145, 1000000147

dated: 09/17



ROPULS Flushing Compressor
No. 1000000145, 1000000147

dated: 09/17

Item no.	Description	Article no.	Quantity
1	Compressor	F88048	1
1.2	Vibration damper	H81077	2
1.3	Washer DIN 6799	23029	2
1.4	Wheel	H81074	2
1.5	Ball valve	F88079	1
1.8	Engle coupling 3/8"	F88030	1
1.9	Elbow rotary coupling 1/8"	F88026	1
1.10	Non return valve	H81600	1
2	Pressure reducer with glas	H81001	1
2.1	Sight glass compl.	H81066	1
3	Double nipple	H81009	1
4	2/2 Solenoid valve	F88009	1
5	Check valve	F88016	1
6	Divider	F88017	1
7	Threaded part 1"	F88018	2
8	Threaded extension	F88020	1
9	Plug with sealing	H99257	1
10	Manifold pipe compl.	1500000234	1
11	Pipe clamp RSF 45	1300000342	1
12	Screw ISO7380 M8x14 10.9	1300000343	1
15	Push-in fitting G 1/8"	1300000339	1
16	L-Push-in fitting G 1/8" have to be replaced with pos. 18 tougether	1300000340	2
17	PA Hose 6x1,2x1700	H81022	1
18	Restrictor have to be replaced with pos. 16 tougether	1300002810	1
20	Electronics completely	F88043	1
20.1	Sticker elec.	F88074	1
20.2	Housing	F88088	1
20.3	Power cord for CH	F88083	1
20.3	Power cord with PRCD for GER	F88086	1
20.4	Cable gland with nut M16x1,5	F81039	1
20.5	Cable with plug valve	F88038	1
20.6	Cable	F81037	1
20.7	Water cycle counter	F88015	1
21	Cover in front completely	1300000225	1
22	Label Cover	1300000226	1
25	Cable sleeve type KT 5/11/8 3/8	F88040	2
26	Retainer	F88035	2
27	Hexagon nut M6	F88500	2
28	Control circuit board	F88091	1
29	Keyboard circuit board	F88090	1
37.1	Condor switch Roplus	H81075	1
37.2	Compressed air clutch Ropuls	L82673	1
37.3	Safety valve 8.5 bar	H81068	1
37.4	Manometer 0 - 12 bar Ropuls	H81070	1
37.5	CK-quick connector 1/4"	F88029	2
37.6	T-Fitting Landefeld	F88007	1
37.7	Angle piece 1/4"	F88008	1
45	Manometer NG40 0 - 12 bar	H81040	1
50	Overload switch	H81069	1
51	Fan blade	H81080	1
52	Piston	L20455	1
53	Cylinder sleeve	L20152	1
54	Manifold	H81072	1
55	Cylinder face plate	H81079	1
56	Fan cover	H81078	1
57	Valve plate	H81087	1
58	Air filter	H81088	1
59	Engine hood	H81081	1
60	Angle fitting swivelling	L82675	1
61	Self-adhesive logo	L21830	1
62	Edge protection	F88087	1
63	GEKA hose coupling	F88039	4
64	Hose clamp	H81019	4
65	Connection hose ROPULS compl. GER, CH	H81063	1
66	3-Way ball valve KHTC3/18L	1300000228	1
67	Cover plate	1300000227	1
68	Coupling socket KDKS 4 NW5	1300000229	1
70	Ball valve (FR)	F88071	1
DE,CH	Hose connection	1300000627	2
DE,CH	Geka coupling	F88039	2

ROPULS Flushing Compressor
No. 1000000145, 1000000147

dated: 09/17

Item no.	Description	Article no.	Quantity
DE,CH	PVC Hose 1,5 m	H85537	1,5 m
FR	Geka coupling	H81156	2
FR	Hose connection	1300000626	2
FR	PVC Hose 1,5 m	H81154	1,5 m

IMPORTANT! To assure safety and reliability, repairs, maintenance and adjustment must be performed by ROTHENBERGER Kelkheim or authorized Service-Centers. Always use Original-Service-Parts. Order your accessories and spare parts from your specialist retailer or using our Service After Sales hotline

Tel. +49 6195 - 800 **8200**

Fax: +49 6195 - 800 **7491**

✉ service@rothenberger.com